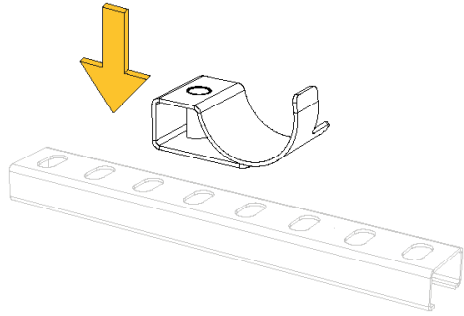
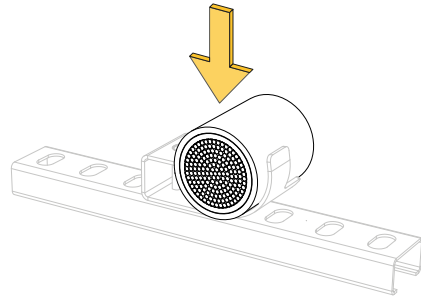


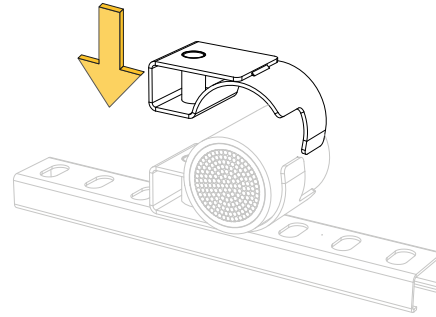
HIGH TEMPERATURE FIRE RATED CLEAT



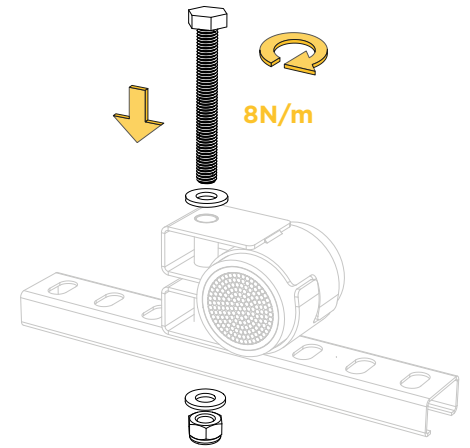
1. PLACE 1ST HALF OF CLEAT ON MOUNT SURFACE



2. LAY CABLE IN CLEAT



3. PLACE 2ND HALF OF CLEAT OVER CABLE



4. SECURE CLEAT TO MOUNT SURFACE

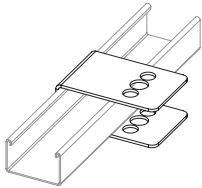


SECURING CABLES WORLDWIDE

THIS SPACE INTENTIONALLY LEFT BLANK

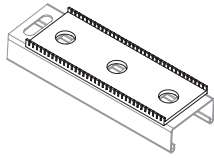
ACCESSORIES

C-clamp



For use with un-slotted rungs.

Separation Pad



Prevent galvanic corrosion between two dissimilar metals.

Contact **CMP** for more information regarding accessories and substrates.

PPE



CAUTION: We strongly recommend wearing suitable PPE including anti cut gloves.

Please refer to local PPE regulations.

www.cmp-products.com

Tel: +44 (0) 191 265 7411

Fax: +44 (0) 1670 715 646

E-mail: customerservices@cmp-products.com

© Copyright CMP Products Limited 2017. All rights reserved.

FI593 REV 0 01/19



CLEAT FITTING INSTRUCTIONS

Cable Cleat Specification

Name	Type	Material	Certification	Size Range	Temp Range	Bolt(s)
HELIOS	FPC	Stainless Steel	IEC 61914 BS5839 BS8491 EN50200 BS8434	10 - 65 mm in 11 sizes	-60°C to +250°C*	1 x M10

* Surpasses requirements of Fire testing BS5839/BS8491/EN50200/BS8434/AS-NZS 3013 (1,200 °C) (Fire, shock & water)

All products are short-circuit tested. Please visit www.cmp-products.com for further details.

Note: Any other queries please contact CMP via email customerservices@cmp-products.com

There are no restrictions on the mounting orientation of the cleats.

HIGH TEMPERATURE FIRE RATED CLEAT

HELIOS **FPC**

