

# EVEREST (HVSS-CC)

CMP Everest trefoil cable cleat range has been designed for the safe retention of high voltage cables. The Everest is designed, constructed and tested in accordance with the International Standard IEC 61914: Cable cleats for electrical installations; to ensure the securing and retention of cables without sustaining damage to the cable(s). The product variations comprise of a fixed, slide and a float cleat or intermediate restraint.

The Everest trefoil range of cable cleats are designed for use with high voltage cable installations and are manufactured to suit a range of cable diameters. The range consists of three cable cleats designed to be installed as a system; a fixed cleat, a slide cleat and an intermediate restraint or float cleat (if required).

The Everest fixed cleat is designed to secure the cables in a trefoil formation to a mounting surface, providing excellent axial and lateral retention. This variation securely holds the cables to a support structure. The Everest fixed cleat can be installed in a rigid system where there would be no allowance for movement within the system.

The Everest slide cleat is designed to secure cables in trefoil formation to a mounting surface, whilst providing excellent axial and lateral load retention the sliding base design allows for the cables to move in a horizontal direction, perpendicular to the cables direction. The Everest slide cleat is to be installed in a flexible system, where a snaking method is adopted. The slide bases allow the cables to expand the arc within the snake so to take up additional length generated by thermal expansion.

Everest Float Cleat is designed to secure cables in trefoil formation. The Everest float cleat would be installed between two fixed cleat or a fixed cleat and sliding cleat to be an intermediate restraint, allowing for greater fixed/sliding cleat spacing.

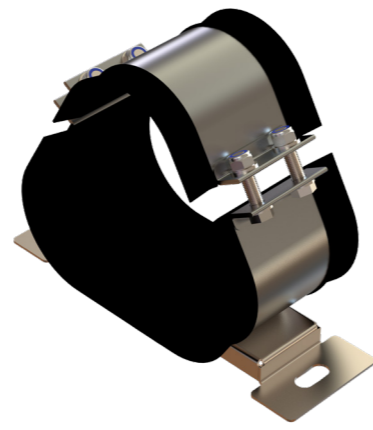
HVSS-CC cleats are fabricated in non-magnetic 316L stainless steel.

Flame retardant low smoke and fume fixed liners are fitted as standard, helping to:

- Restrain the cables within vertical applications.
- Provide a layer of protection to both the cable sheath and the cable cleat, during normal operation where thermal elongation of cable occurs.
- Protect the cable from chafing on any mounting surface due to differential movements, such as those found in marine and offshore applications.
- Assist in the extra protection of cables in the event of short circuit fault condition

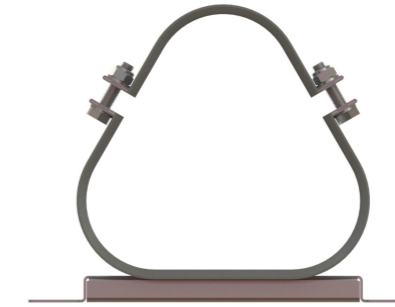
## FEATURES

- Third party certification to IEC 61914
- Available in 316L stainless steel
- Sunlight (UV) resistant
- Operating temperature -60°C to +90°C
- Available in slide or fixed design
- Excellent axial and lateral load retention



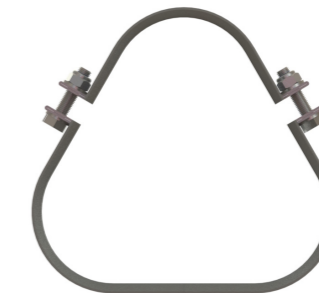
TECHNICAL DATA & CLASSIFICATION	
TYPE	IEC 61914 6.1.3 Composite
DESIGN SPECIFICATION	IEC 61914
TEMPERATURE FOR PERMANENT APPLICATION	-60°C to +90°C IEC 61914 clause / part 6.2
NEEDLE FLAME TEST	Pass - 120 seconds IEC 61914 clause 10.0, 10.1, IEC 60695-11-5
IMPACT RESISTANCE	Pass - Very Heavy IEC 61914 clause 6.3, 6.3.5, 9.2
MATERIAL	316L Stainless Steel
MATERIAL THICKNESS	2mm
LINER MATERIAL	FR LSF / LSOH Polymer
CABLE FORMATION	Trefoil

SHORT CIRCUIT TESTING TO IEC 61914 - CLAUSE 9.5	
TREFOIL FORMATION	
One Short Circuit 1.4m, with intermediate restraints	Two Short Circuit 1.4m, with intermediate restraints
142mm	142mm
1 sec	1 sec
238kA Peak	164kA Peak
92 kA r.m.s	64 kA r.m.s



Fixed type cable cleat

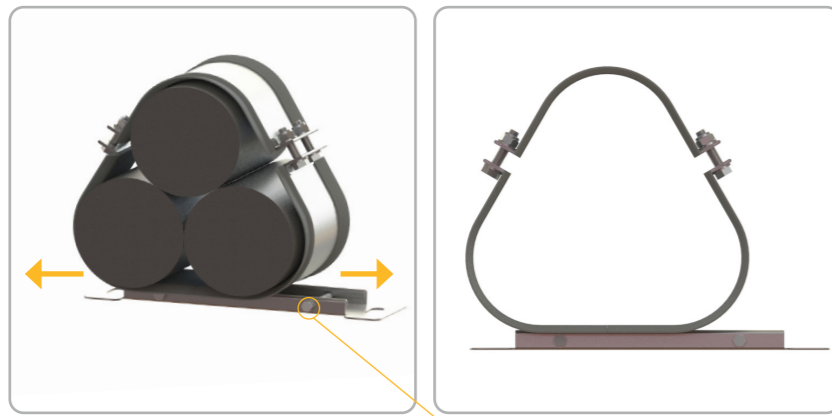
CABLE CLEAT SELECTION TABLE									
HVSS-CC PART NO.	CABLE Ø RANGE TAKE (mm)	DIMENSIONS mm							WEIGHT (g)
		W1	W2	H1	H2	D	P	D1	
HVSS-CC-100110-FX	100-110	239	334	221	244	156	282	2 x M16	3019
HVSS-CC-110120-FX	110-120	259	354	239	262	156	302	2 x M16	3208
HVSS-CC-120130-FX	120-130	279	374	258	281	156	322	2 x M16	3396
HVSS-CC-130140-FX	130-140	299	394	277	300	156	342	2 x M16	3585
HVSS-CC-140150-FX	140-150	319	414	295	318	156	362	2 x M16	3774
HVSS-CC-150160-FX	150-160	339	434	314	337	156	382	2 x M16	3962
HVSS-CC-160170-FX	160-170	359	454	333	356	156	402	2 x M16	4151
HVSS-CC-170180-FX	170-180	379	474	351	374	156	422	2 x M16	4340
HVSS-CC-180190-FX	180-190	399	494	370	393	156	442	2 x M16	4528
HVSS-CC-190200-FX	190-200	419	514	389	412	156	462	2 x M16	4717



Float type cable cleat

Note: Cyclone Intermediate Restraint may also be used

CABLE CLEAT SELECTION TABLE							
HVSS-CC PART NO.	CABLE Ø RANGE TAKE (mm)	DIMENSIONS mm					WEIGHT (g)
		W1	H1	D	P	D1	
HVSS-CC-100110-FL	100-110	239	221	156	n/a	n/a	2169
HVSS-CC-110120-FL	110-120	259	239	156	n/a	n/a	2358
HVSS-CC-120130-FL	120-130	279	258	156	n/a	n/a	2546
HVSS-CC-130140-FL	130-140	299	277	156	n/a	n/a	2735
HVSS-CC-140150-FL	140-150	319	295	156	n/a	n/a	2924
HVSS-CC-150160-FL	150-160	339	314	156	n/a	n/a	3112
HVSS-CC-160170-FL	160-170	359	333	156	n/a	n/a	3301
HVSS-CC-170180-FL	170-180	379	351	156	n/a	n/a	3490
HVSS-CC-180190-FL	180-190	399	370	156	n/a	n/a	3678
HVSS-CC-190200-FL	190-200	419	389	156	n/a	n/a	3867



Slide type cable cleat

The Slide Cleat base channel includes a stop position, to limit the slide distance in each direction.

**CABLE CLEAT SELECTION TABLE**

HVSS-CC PART NO.	CABLE Ø RANGE TAKE (mm)	DIMENSIONS mm							WEIGHT (g)
		W1	W2	H1	H2	D	P	D1	
HVSS-CC-100110-SL	100-110	239	334	221	244	156	282	2 x M16	3019
HVSS-CC-110120-SL	110-120	259	354	239	262	156	302	2 x M16	3208
HVSS-CC-120130-SL	120-130	279	374	258	281	156	322	2 x M16	3396
HVSS-CC-130140-SL	130-140	299	394	277	300	156	342	2 x M16	3585
HVSS-CC-140150-SL	140-150	319	414	295	318	156	362	2 x M16	3774
HVSS-CC-150160-SL	150-160	339	434	314	337	156	382	2 x M16	3962
HVSS-CC-160170-SL	160-170	359	454	333	356	156	402	2 x M16	4151
HVSS-CC-170180-SL	170-180	379	474	351	374	156	422	2 x M16	4340
HVSS-CC-180190-SL	180-190	399	494	370	393	156	442	2 x M16	4528
HVSS-CC-190200-SL	190-200	419	514	389	412	156	462	2 x M16	4717

