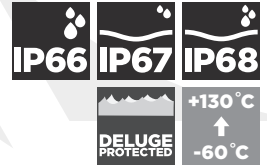


A2 INDUSTRIAL SINGLE SEAL CABLE GLAND SOLO LSF KIT

FOR ALL TYPES OF UNARMoured & BRAIDED CABLES

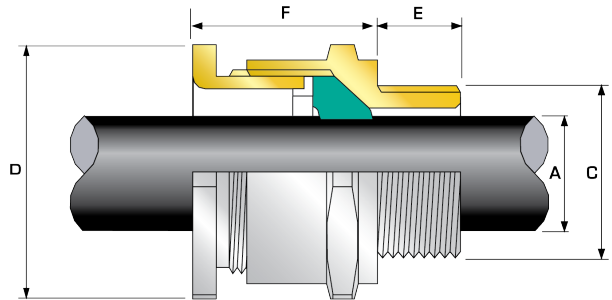
- Displacement type seal
- Deluge protected
- -60°C to +130°C
- LUL (London Underground) approved



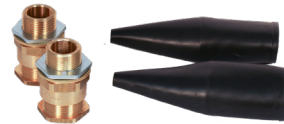
TECHNICAL CLASSIFICATION	
TYPE	A2 SOLO-Kit
DESIGN SPECIFICATION	BS 6121:Part 1:1989, IEC 62444, EN 62444
MECHANICAL CLASSIFICATION*	Impact = Level 8, Cable Anchorage = Type B
ENCLOSURE PROTECTION	IK10 to IEC 62262 (20 joules) Brass & Stainless Steel only
INGRESS PROTECTION RATING**	IP66, IP67 & IP68***
DELUGE PROTECTION COMPLIANCE	DTS01 : 91
CABLE GLAND MATERIAL	Brass, Electroless Nickel Plated Brass, Stainless Steel, Aluminium
CABLE TYPE	Unarmoured
SEAL MATERIAL	CMP SOLO LSF Halogen Free Thermoset Elastomer
SEALING TECHNIQUE	CMP Unique Displacement Seal
SEALING AREA(S)	Cable Outer Sheath
CABLE GLAND KITS AVAILABLE	Up to & including size 25 - 2 glands, 2 locknuts & 2 LSF shrouds Size 32 & above - 1 gland, 1 locknut & 1 LSF shroud

* Mechanical & Electrical Classifications applied as per IEC 62444 & EN 62444 ** When CMP installation accessories are used. Refer to www.cmp-products.com for further information.
*** IP68 tested to a minimum depth of 30 metres for 12 hours, alternative depths / durations can be provided upon request
Ordering suffix '2RA' includes locknut & shroud
Other kit options available

GLOBAL PRODUCT CERTIFICATION	
GOST R CERTIFICATE	04ИДЮ101.GB.C02492
MARINE APPROVALS	LRS: 01/00171, ABS: 16-LD1472056-PDA



Gland Kit shown as example



COMBINED ORDERING REFERENCE (*BRASS METRIC)			AVAILABLE ENTRY THREADS 'C' (ALTERNATIVE METRIC THREAD LENGTHS AVAILABLE)					OVERALL CABLE DIAMETER 'A'		ACROSS FLATS 'D'	ACROSS CORNERS 'D'	PROTRUSION LENGTH 'F' (WITHOUT SHROUD)	CABLE GLAND ONLY WEIGHT (kg)
			STANDARD			OPTION							
SIZE	TYPE	ORDERING SUFFIX	METRIC	THREAD LENGTH (METRIC) 'E'	NPT	THREAD LENGTH (NPT) 'E'	NPT	MIN	MAX	MAX	MAX		
20S16	A2LSF	2RA	M20	10.0	1/2"	19.9	3/4"	3.2	8.7	24.0	26.4	26.0	0.070
20S	A2LSF	2RA	M20	10.0	1/2"	19.9	3/4"	6.1	11.7	24.0	26.4	26.0	0.060
20	A2LSF	2RA	M20	10.0	1/2"	19.9	3/4"	6.5	14.0	27.0	29.7	27.7	0.070
25	A2LSF	2RA	M25	10.0	3/4"	20.2	1"	11.1	20.0	36.0	39.6	35.5	0.130
32	A2LSF	2RA	M32	10.0	1"	25.0	1 1/4"	17.0	26.3	41.0	45.1	35.1	0.150
40	A2LSF	2RA	M40	15.0	1 1/4"	25.6	1 1/2"	23.5	32.2	50.0	55.0	35.1	0.200
50S	A2LSF	2RA	M50	15.0	1 1/2"	26.1	2"	31.0	38.2	55.0	60.5	33.0	0.260
50	A2LSF	2RA	M50	15.0	2"	26.9	2 1/2"	35.6	44.0	60.0	66.0	37.3	0.270
63S	A2LSF	2RA	M63	15.0	2"	26.9	2 1/2"	41.5	49.9	70.5	77.6	33.5	0.430
63	A2LSF	2RA	M63	15.0	2 1/2"	39.9	3"	47.2	55.9	75.0	82.5	36.2	0.460
75S	A2LSF	2RA	M75	15.0	2 1/2"	39.9	3"	54.0	61.9	80.0	88.0	34.1	0.520
75	A2LSF	2RA	M75	15.0	3"	41.5	3 1/2"	61.1	67.9	84.0	92.4	40.9	0.500
90	A2LSF	2RA	M90	24.0	3 1/2"	42.8	4"	66.6	79.9	108.0	118.8	60.3	1.600
100	A2LSF	2RA	M100	24.0	4"	44.0	5"	76.0	91.0	123.0	135.3	57.2	1.780
115	A2LSF	2RA	M115	24.0	4"	44.0	5"	86.0	97.9	133.4	146.7	67.3	2.670
130	A2LSF	2RA	M130	24.0	5"	46.8	6"	97.0	114.9	152.4	167.6	74.7	3.800

* For material options add the following suffix to the ordering reference; Brass (no suffix required); Nickel Plated Brass '5'; 316 Grade Stainless Steel '4'; Copper Free Aluminium '1'
For NPT options add the following digits to the material suffix; 1/2" = 31; 3/4" = 32; 1" = 33; 1 1/4" = 34; 1 1/2" = 35; 2" = 36; 2 1/2" = 37; 3" = 38; 3 1/2" = 39; 4" = 310 (Brass requires prefix '0')

Examples: 32A2LSF2RA534 = Nickel Plated Brass 1 1/4" NPT, 50SA2LSF2RA035 = Brass 1 1/2" NPT, 25A2LSF2RA432 = Stainless Steel 3/4" NPT, 20A2LSF2RA5 = Nickel Plated Brass M20

Dimensions are displayed in millimetres unless otherwise stated