



TECHNICAL DATA
ADAPTOR TYPE : 789
INGRESS PROTECTION : IP66
PROCESS CONTROL SYSTEM : ISO 9001
 : ISO/IEC 80079-34:2011

EXPLOSIVE ATMOSPHERES CLASSIFICATION
ATEX CERTIFICATION No : CML 18ATEX1329U
ATEX CERTIFICATION CODE : Ⓜ II 2G 1D Ex db IIC Gb / Ex eb IIC Gb / Ex ta IIIC Da IP6X
 : Ⓜ IM 2 Ex db I Mb / Ex eb I Mb

UKEX CERTIFICATION No : CML 21UKEX1242U
UKEX CERTIFICATION CODE : Ⓜ II 2G 1D Ex db IIC Gb / Ex eb IIC Gb / Ex ta IIIC Da IP6X
 : Ⓜ IM 2 Ex db I Mb / Ex eb I Mb

IECEX CERTIFICATION No : IECEX CML 18.0186U
IECEX CERTIFICATION CODE : Ex db IIC Gb / Ex eb IIC Gb / Ex db I Mb / Ex eb I Mb / Ex ta IIIC Da IP6X
cCSAus CERTIFICATION No : 1055233
CODE OF PROTECTION : Class I, Div 1 & 2, Groups A,B,C,D ; Enclosure type 4X : Class I, Zone 1, AEx de II ; Ex de II



INSTALLATION INSTRUCTIONS FOR UNION TYPE 789

UNION TYPE 789 FOR CONNECTING CONDUITS TO ENCLOSURES OR CONDUITS TO EACH OTHER IN EXPLOSIVE ATMOSPHERES.

INCORPORATING EU DECLARATION OF CONFORMITY TO DIRECTIVE 2014/34/EU AND UK STATUTORY REQUIREMENTS SI 2016 No. 1107 (AS AMENDED)



INSTALLATION INSTRUCTIONS

- Installation should only be performed by a competent person using the correct tools. Spanners should be used for tightening. Read all instructions before beginning installation.
- The interface between a cable entry device and its associated enclosure / cable entry will require additional sealing to achieve ingress protection (IP) ratings higher than IP54. The minimum protection level is IP54 for explosive gas atmospheres and IP6X for explosive dust atmospheres. Parallel threads (and tapered threads when using a non-threaded entry) require a CMP sealing washer or integral O-ring face seal (where available) to maintain IP66, 67 and 68 (when applicable). It is the installer's responsibility to ensure the IP rating is maintained at the interface.
 Note: When fitted to a threaded entry, all tapered threads will automatically provide an ingress protection rating of IP66.
- A CMP earth tag should be used when it is necessary to provide an earth bond connection. CMP earth tags have been independently tested to comply with Category B rating specified in IEC 62444 (there are no ratings stated in IEC 60079-0). Ratings are shown in the associated table. CMP earth tags slip over the cable gland or accessory entry thread from inside/outside the enclosure and must be secured with a locknut (if fitted internally).

CMP Earth Tag Size	Short Circuit Ratings Symmetrical Fault Current (kA) for 1 second
20	3.06
25	4.06
32	5.40
40	7.20
50	10.40
63	10.40
75	10.40

SPECIFIC CONDITIONS OF USE

Only one union is to be used with any single cable entry on the associated equipment.

ACCESSORIES

The following accessories are available from CMP Products, as optional extras, to assist with fixing, sealing and earthing :-
 Locknut | Earth Tag | Serrated Washer | Entry Thread (I.P.) Sealing Washer

CMP Products Limited on its sole responsibility declares that the equipment referred to herein conforms to the requirements of the ATEX Directive 2014/34/EU and UK statutory requirements SI 2016 No. 1107 (as amended). This is shown in the following harmonised/designated standards;

EN IEC 60079-0:2018, EN 60079-1:2014, EN IEC 60079-7:2015 + A1:2018, EN 60079-31:2014

Malcolm Webber - Product Engineering Manager - (Authorised Person)
 CMP Products Limited, Cramlington, NE23 1WH, UK

EU Economic Operator: CMP Products Germany GmbH. Address: Lukasstraße 25a, 52070 Aachen
 17th March 2020



Notified Body: CML B.V., Koopvaardijweg 32, 4906CV Oosterhout, The Netherlands

Approved Body: Eurofins E&E CML Limited, Newport Business Park, New Port Road, Ellesmere Port, CH65 4LZ

Product Selection Table								
METRIC								
Ordering Reference (Brass, Metric)	Male Forward Thread Size	Minimum Thread Length	Female Rear Thread Size	Bore Diameter	Max Protrusion Length	Across Flats Hex	Across Corners Ø	Installation Torque (Nm)
789DM2M2	M20 X 1.5	15.0	M20 X 1.5	14.5	57.8	41.0	44.8	7
789DM3M3	M25 X 1.5	15.0	M25 X 1.5	20.3	64.8	46.0	50.3	10
789DM4M4	M32 X 1.5	15.0	M32 X 1.5	26.6	74.8	52.0	56.9	15
789DM5M5	M40 X 1.5	15.0	M40 X 1.5	32.8	83.8	60.0	65.7	25
789DM6M6	M50 X 1.5	15.0	M50 X 1.5	44.4	94.3	70.0	76.7	30
789DM7M7	M63 X 1.5	15.0	M63 X 1.5	56.3	108.3	79.0	86.6	45
789DM8M8	M75 x 1.5	15.0	M75 x 1.5	68.3	120.8	89.9	98.6	45
789DM9M9	M90 x 2.0	24.0	M90 x 2.0	80.3	142.6	110.0	120.7	45
NPT								
Ordering Reference (Brass, NPT)	Male Forward Thread Size	Minimum Thread Length	Female Rear Thread Size	Bore Diameter	Max Protrusion Length	Across Flats Hex	Across Corners Ø	Installation Torque (Nm)
789DT1T1	1/2"	0.79	1/2"	14.5	57.8	41.0	44.8	7
789DT2T2	3/4"	0.80	3/4"	20.3	64.8	46.0	50.3	10
789DT3T3	1"	0.98	1"	26.6	74.8	52.0	56.9	15
789DT4T4	1-1/4"	1.01	1-1/4"	32.8	83.8	60.0	65.7	25
789DT5T5	1-1/2"	1.03	1-1/2"	40.4	94.3	70.0	76.7	30
789DT6T6	2"	1.06	2"	50.6	108.3	79.0	86.6	45
789DT7T7	2-1/2"	1.57	2-1/2"	68.3	120.8	89.9	98.6	45
789DT8T8	3"	1.63	3"	80.3	142.6	120.0	131.7	45

All dimensions shown are in millimetres unless otherwise stated
 For material options please add the following suffix to the Ordering Reference; Brass (no suffix required), Nickel Plated Brass "5", 316 Grade Stainless Steel "4", Copper Free Aluminium "1"

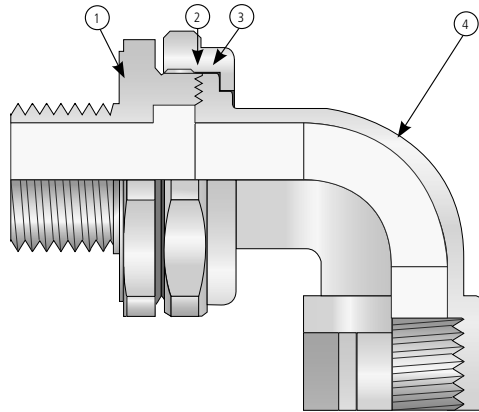
F1485		
Certificate	Revision	Date
IFS	6	03/24
ATEX / IECEX	3	04/19
CSA / cCSAus	3	01/19
UKEX	0	04/21



Glasshouse Street • St. Peters • Newcastle upon Tyne • NE6 1BS
 Tel: +44 191 265 7411 • Fax: +44 1670 715 464
 E-Mail: customerservices@cmp-products.co.uk • Web: www.cmp-products.com

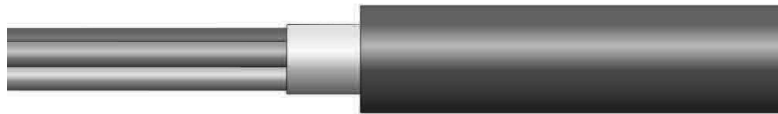
INSTALLATION INSTRUCTIONS FOR CMP UNION TYPES 789

- 1. Entry Item
- 2. Serrated Flamepath
- 3. Nut
- 4. 90° Conduit Connector

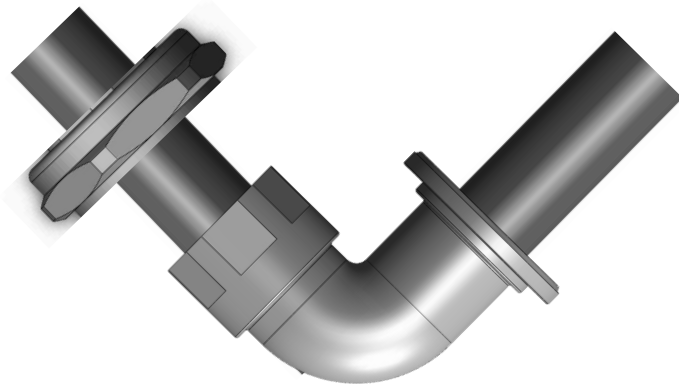


PLEASE READ ALL INSTRUCTIONS CAREFULLY BEFORE BEGINNING THE INSTALLATION

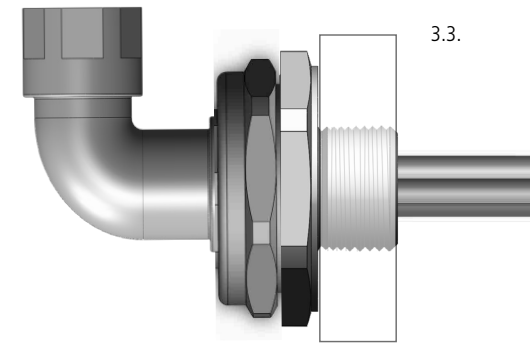
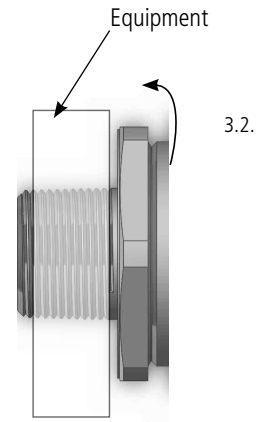
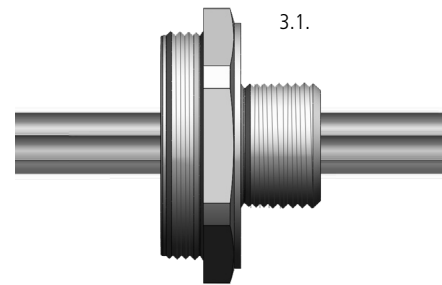
- 1. Prepare the cable by removing the outer sheath if necessary.



- 2. Unscrew the Nut (3) and the Conduit connector (4) and pass down the cable/cores



- 3.1. Feed the cables/cores through the Entry Item
- 3.2. Tighten the entry item into the equipment
- 3.3. Reassemble the Union



- 5. Tighten the Conduit Connector (4) onto the conduit to complete the installation.

